

Catch the Wave!

# INTRODUCING **TRIOLA<sup>®</sup> TR**



## **THE TRIOLA<sup>®</sup> TR OPENS UP A NEW WORLD OF OPPORTUNITIES FOR TEMPORARY AND SEMI-PERMANENT SIGN APPLICATIONS.**

Back-to-back **TRIOLA<sup>®</sup>\*** 3-message prismatic displays are mounted onto a specially-designed compact road trailer. Effective front lighting of both sides is accomplished through low-profile fluorescent lighting fixtures on the trailer bed.

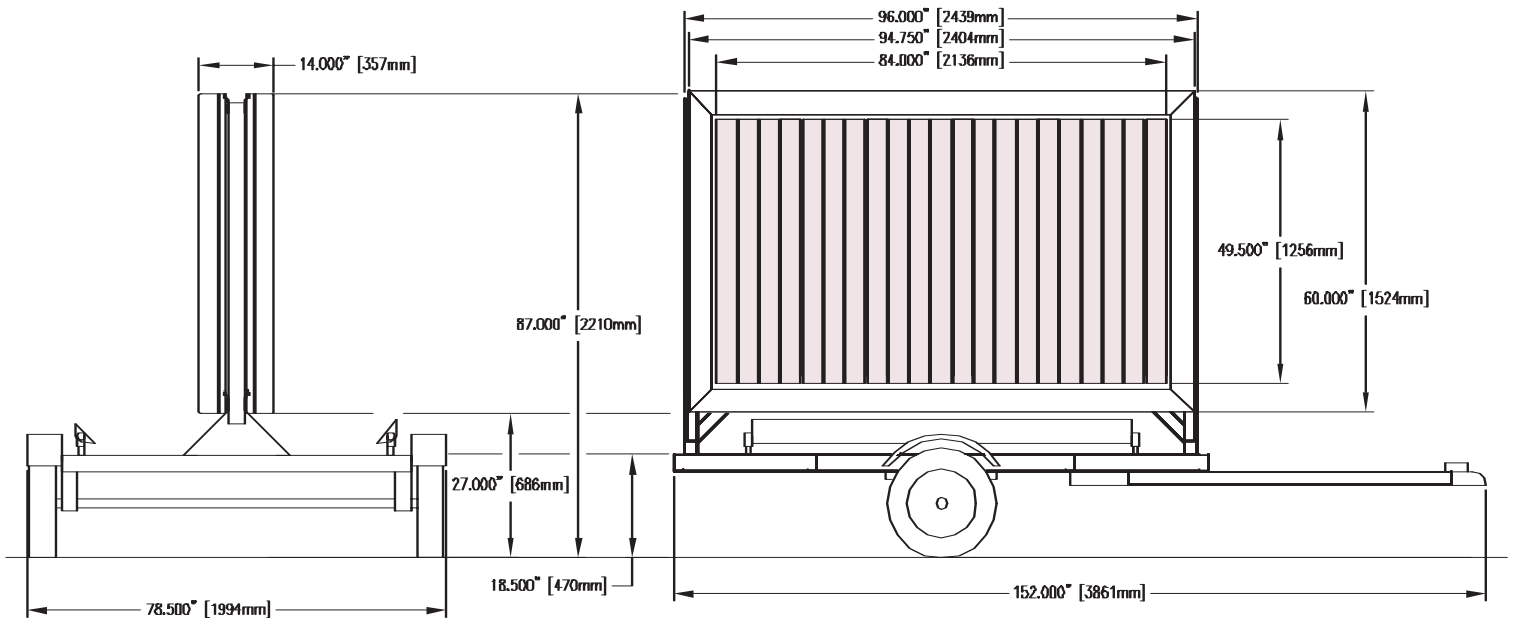
Four extendable, adjustable struts (two are in use in the photos) are incorporated into the trailer to provide stability when the unit is stationary. Built-in level indicators assure precise placement. A standard AC electrical supply is all that's needed to operate the product, and DC operation is optional.

The ability to present six illuminated messages in sequence, coupled with **TRIOLA<sup>®</sup>**'s renowned wave effect, styling aesthetics, and reliability make **TRIOLA<sup>®</sup> TR** the ultimate promotional medium for events, special promotions, and semi-permanent storefront use.

**\*The TRIOLA<sup>®</sup> product has been time tested in a variety of the world's harshest climates for over fifteen years. It has been proven in mobile applications for more than two years. Mechanically, it is the simplest and most reliable product of its type, and it features exceptional ease of service.**



# TRIOLA<sup>®</sup> TR Specifications



**ELECTRICAL REQUIREMENTS:** Motors—2 x 25w;  
Lighting—2 x 138w = 326w. 2.8a @ 115 volts,  
1.4a @ 230v. Specify voltage to be used when  
ordering.

**TIRES:** 2 x 4.80-12.

**FINISH:** Black enamel standard. Other colors  
by request.

**GRAPHIC TRIM SIZE:** 48" x 84" (1220 x 2134mm).

**IMAGE MATERIAL REQUIREMENTS:** Any exterior-  
grade graphic medium with adhesive back.

**NUMBER OF PRISMS:** 21 per side.

**PRISM CONSTRUCTION:** Aluminum core with  
removable PVC blades on each side. Graphics  
may be installed directly onto the intact unit,  
or prism blades may be removed from the unit  
and placed into a special fixture (available as an  
option), for remote graphic installation.

**OPTIONAL:** Extra sets of blades, which allow for  
graphics to be installed off site for quick graphic  
changes on site.

**PRISM BLADE WIDTH:** 3-3/4" (94mm).

**DWELL TIME (STATIC TIME OF EACH FACE):**  
Adjustable, 7-27 seconds.

**FRAME:** All-aluminum frame hinges open on all  
four sides for easy access to all internal components.

**DRIVE MECHANISM:** All-plastic drive mechanism  
components provide exceptionally quiet and  
reliable operation.

**WAVE MOTION:** Prisms turn in left-to-right wave,  
which both attracts attention and minimizes motor  
effort and electrical consumption.

**WEIGHT:** 1025 pounds (465 kg).

**SAFETY FEATURES:** Adjustable clutch to control  
rotational torque; fused electrical system.



**Clearr Corporation** 6325 Sandburg Road; Minneapolis, MN 55427 USA  
Phone: +1/763/398-5400 Fax: +1/763/398-0134 Toll-Free: 800/548-3269  
Website: www.clearrcorp.com E-mail: info@clearrcorp.com

**CALL TOLL-FREE**  
**800/LITEBOX**  
**(800/548-3269)**